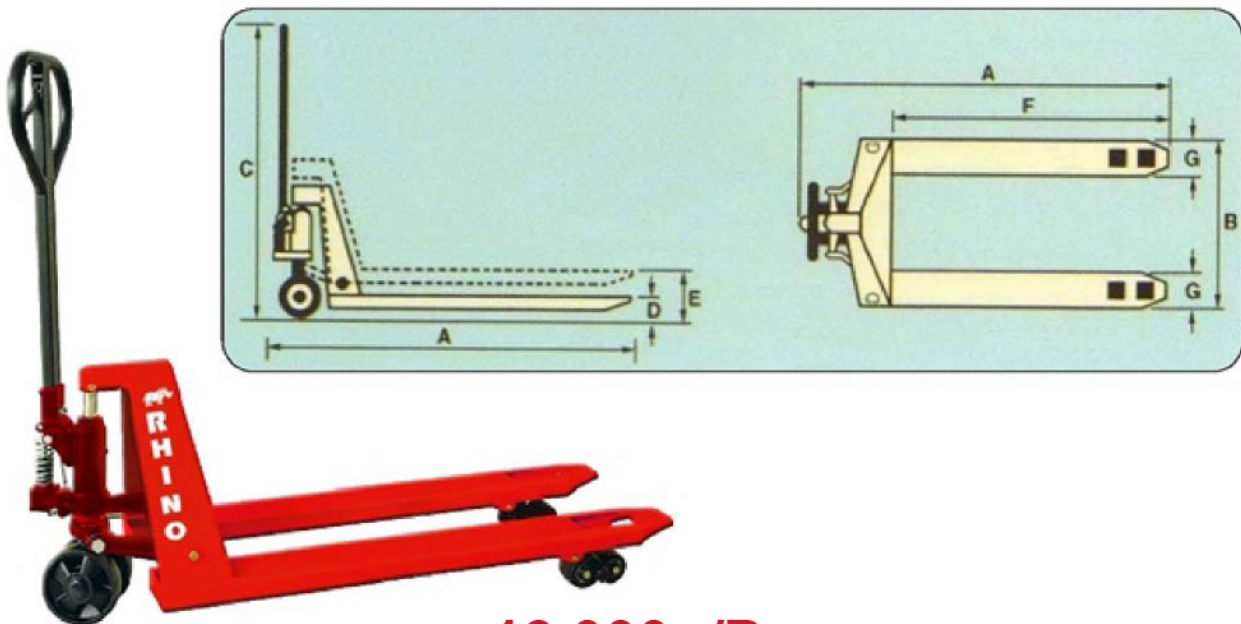




Hand Pallet Truck RPT-252



13,000.-/Pc

- ✦ Rugged construction and high quality hydraulic system with relief valve to protect overloading.
- ✦ Pump piston and piston lifting rod are chromium-plated for long life.
- ✦ Three positions control level for different functions i.e. upper, neutral and lower.
- ✦ Durable polyurethane wheels with ball bearings for easy moving.
- ✦ Minimum turning radius.

| TECHNICAL DATA | | | MODEL RPT-252 |
|---------------------|-----|---|------------------|
| Max. Load capacity | kg. | | 2500 |
| Overall length | mm. | A | 1580 |
| Overall width | mm. | B | 680 |
| Overall height | mm. | C | 1203 |
| Lowered fork height | mm. | D | 85 |
| Raised fork height | mm. | E | 195 |
| Fork length | mm. | F | 1220 |
| Fork width | mm. | G | 153 |
| Front wheel | mm. | | Ø 80 X 70 |
| Rear wheel | mm. | | Ø 180 X 50 |
| Total weight | kg. | | 102 |

SPECIFICATION IS SUBJECT TO CHANGE WITHOUT NOTICE.